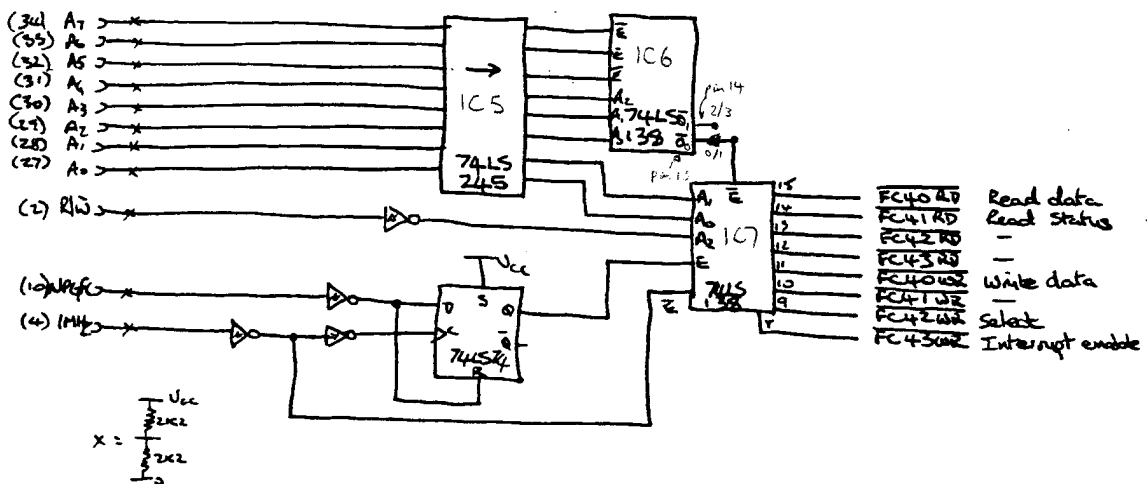
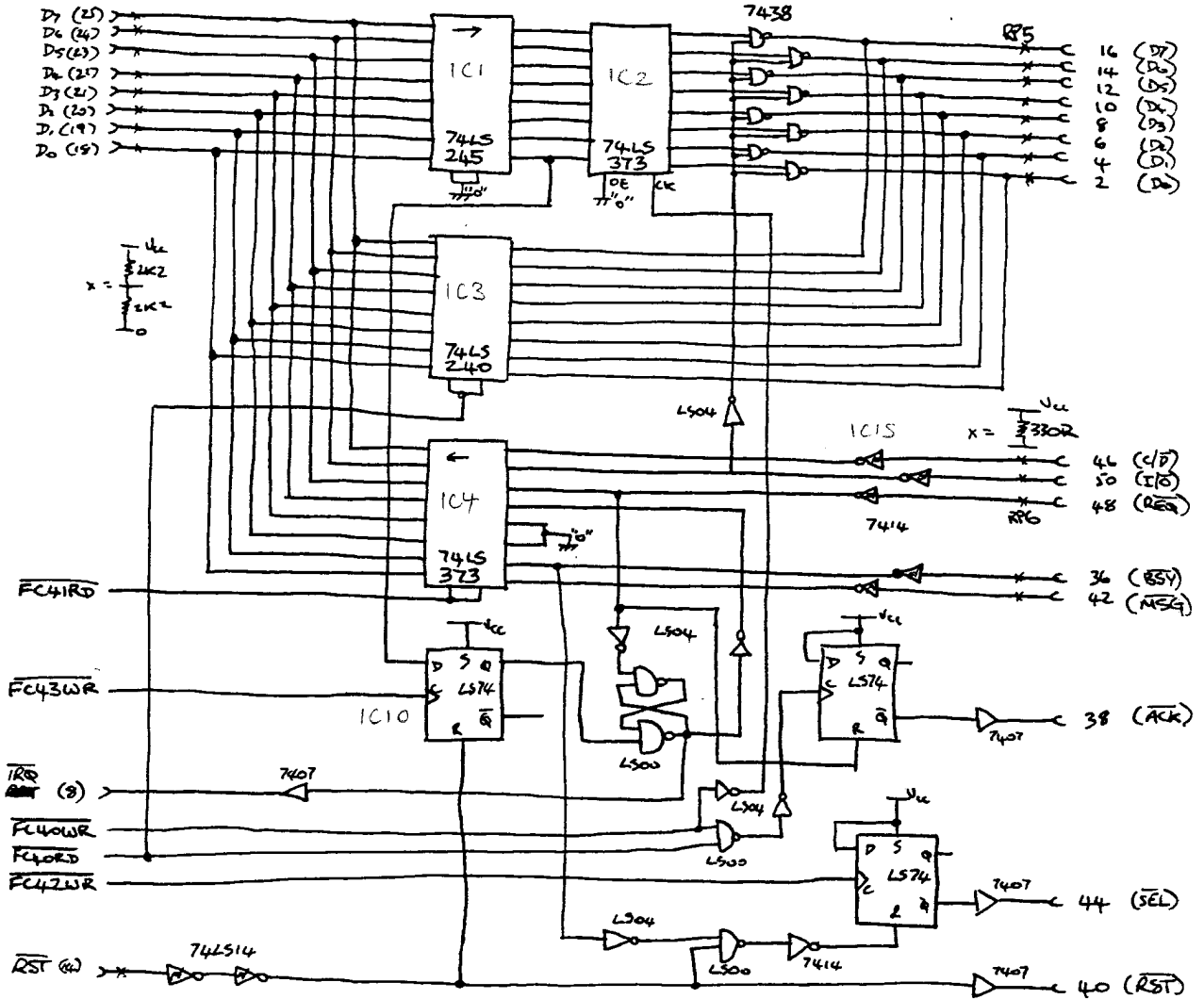
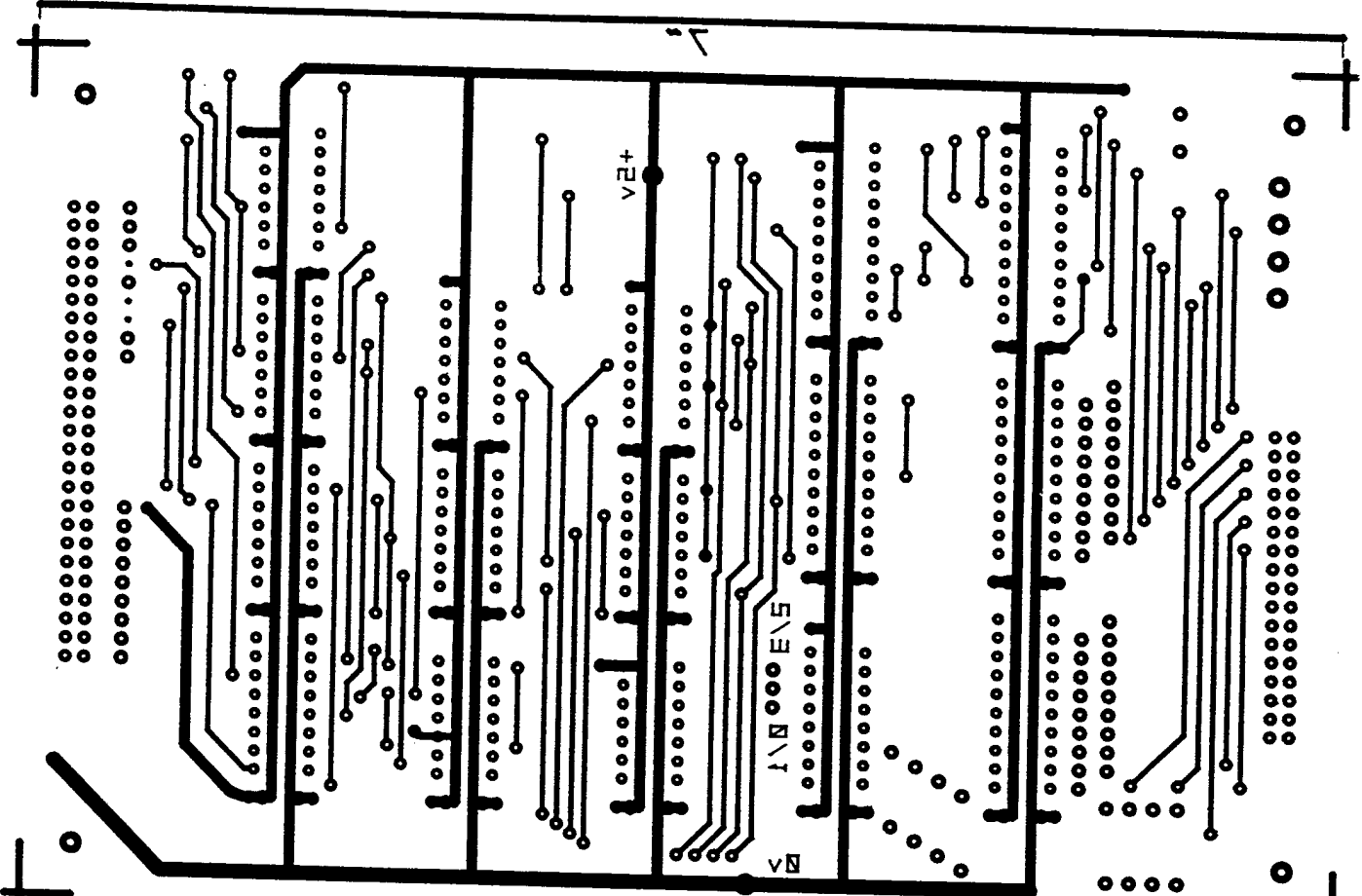


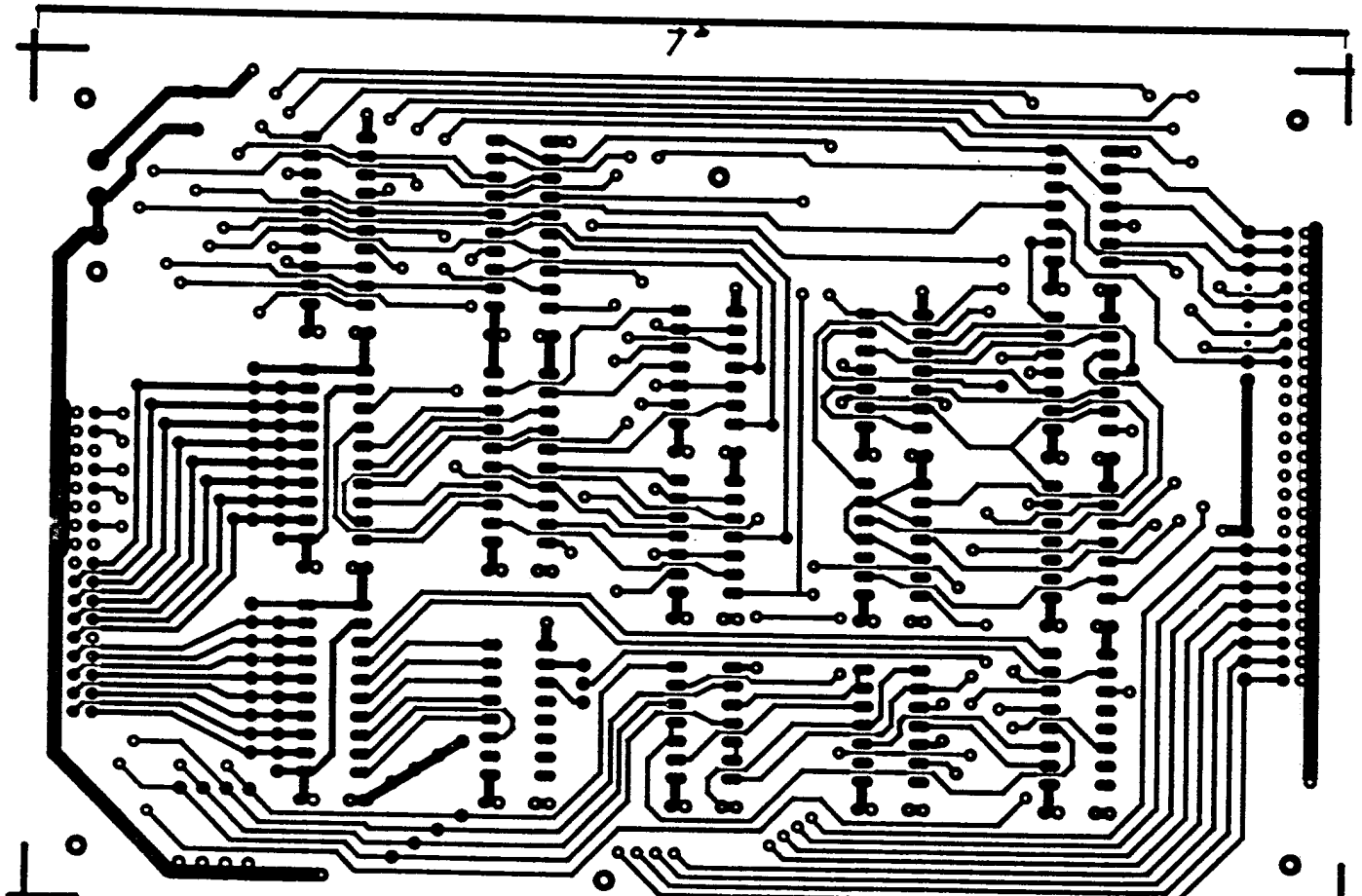
IC13/14



- Are connections on the RBC 1MHz bus (84 way IDC)
- Are connections on the SASI Bus (60 way IDC)
- All ICs are decoupled by 0.1μ
- (1) on 1MHz bus side are pin numbers on the IDC
- (2) on the SASI port side are signal names



L5-218(COMP) L3-GEN L2-NV LP-ACC



L1-SIG L3-GEN

Fig. - Computer circuitry
 += through pins (except @ PLL₁)

